

eArc

SMF150M-6X05DB-e

150 Watt

30 Cell Monocrystalline Module



Ultra-light: Glass free module weighs 2.6 kg, 70% lighter than conventional glass modules.



Aesthetic: Seamless integration with underlying installation surface.



Durable: eArc is the first glassless module to pass the same durability tests as conventional glass modules, including IEC 61215:2016, IEC61730:2016 and UL61730 (USA). eArc has also passed PID, salt mist and ammonia corrosion tests.

POWER OUTPUT RANGE 150 W

POWER TOLERANCE 0-5 W

LINEAR PERFORMANCE WARRANTY

CAUTION: Read installation manual before using the product.

©2021 Sunman (zhenjiang) Co., Ltd. All rights reserved. Specifications included in this datasheet are subject to change without notice.

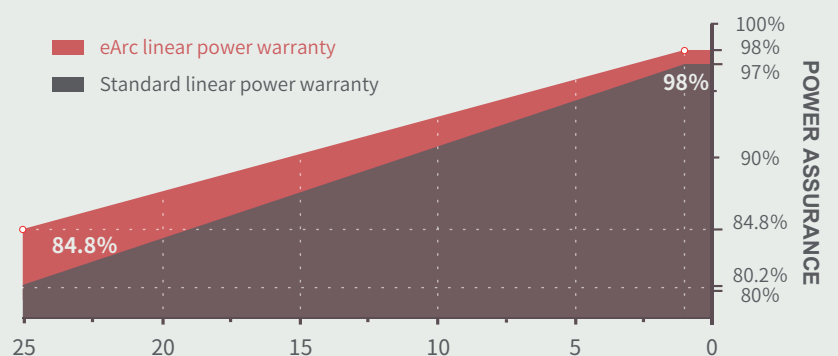
5 Year Product Warranty



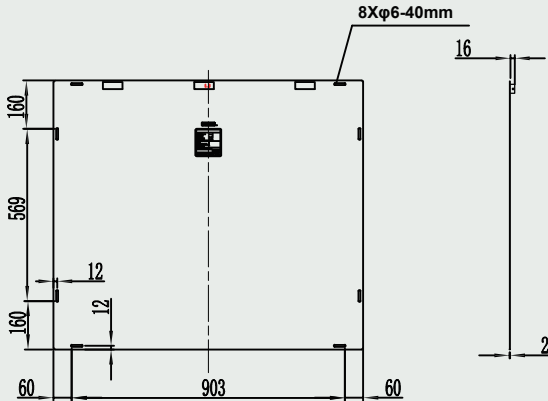
www.sunman-energy.com



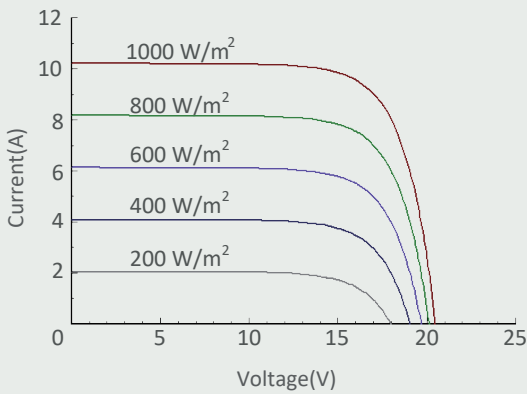
ULTRA-LIGHT & FLEXIBLE SOLAR PANEL



DIMENSIONS

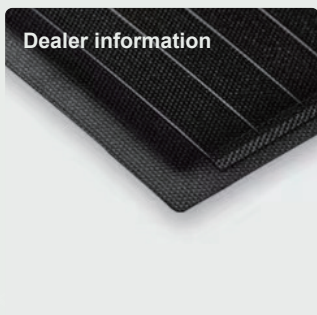


I-V CURVE (150)



TEMPERATURE CHARACTERISTICS

Nominal Module Operating Temperature(NMOT)	41±2 °C
Temperature Coefficient of P_{max}	-0.38 %/°C
Temperature Coefficient of V_{oc}	-0.28 %/°C
Temperature Coefficient of I_{sc}	0.020 %/°C



SMFDB IEC EN 2023B 6

ELECTRICAL CHARACTERISTICS

STC	SMF150M-6X05DB-e
Maximum Power (P_{max})	150
Maximum Power Voltage (V_{mp})	15.74
Maximum Power Current (I_{mp})	9.67
Open-circuit Voltage (V_{oc})	20.49
Short-circuit Current (I_{sc})	10.21
Module Efficiency (%)	16.5
Operating Temperature	-40 °C to 85 °C
Maximum System Voltage	1000 V DC (IEC)
Maximum Series Fuse Rating	20 A
Application Class	Class A
Power Tolerance	0/+5 W

STC: Irradiance 1000W/m², Cell temperature 25°C, AM=1.5.

Tolerances of P_{max} , V_{oc} and I_{sc} are within ±5%

NMOT	SMF150M-6X05DB-e
Maximum Power (P_{max})	120.1
Maximum Power Voltage (V_{mp})	16.3
Maximum Power Current (I_{mp})	7.39
Open-circuit Voltage (V_{oc})	20.4
Short-circuit Current (I_{sc})	8.14

NMOT: Irradiance 800W/m², Ambient temperature 20°C, AM=1.5, Wind speed 1 m/s.

MECHANICAL CHARACTERISTICS

Solar Cell	Monocrystalline silicon (158.75mm)
No. of Cells	30 (6×5)
Module Dimensions	1023×889×2 mm
Weight	2.6kg
Backsheet	Black
Frame	Frameless
J-box	IP 68 rated
Output Cables	Photovoltaic technology cable 4.0 mm 2, (+)450 mm / (-)450 mm
Connector	MC4 compatible

PACKAGING CONFIGURATION

	20' GP	40' HC
Module per pallet	66+86	66+86
Pieces per container	1216	2736